

Capri ADE series 2017 edition cable glands

Capri offers improved features with ADE 2017 edition

Effective from 1st February 2017, Capri will offer the 2017 edition ADE series of hazardous area cable glands.

The 2017 edition glands offer:

- **Extended temperature range**
- **Enhanced membrane/dust cover removal**
- **Easier assembly**
- **All other aspects such as certification, list price etc. remain unchanged**

Improved benefits

The glands are equipped with a new universal seal, giving an extended temperature range of:

-60°C to +140°C*

Glands with this new universal seal can be easily identified by the seal's grey colour.

The 2017 edition ADE series offers easier assembly and enhanced membrane/dust cover removal, even without the use of tools. This dust cover is a feature of the ADE gland that preserves the ingress protection (IP) of the product until it is installed within its intended equipment.

Part numbers for the ADE series will be simplified with the introduction of the 2017 edition; with the universal seal, only the gland material needs to be specified in the part number.

The 2017 edition will replace both the black and red seal variants; however these black and red seal equipped glands are and will continue to be fully approved and suitable for use.

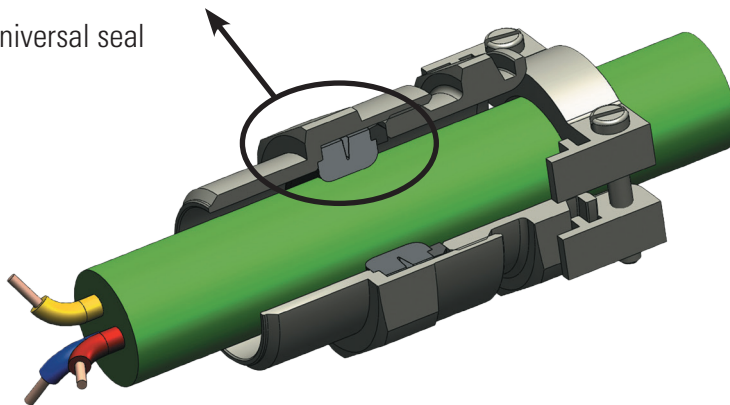
There is no issue with installed products and return/review of applications are not necessary.

For more information about the ADE series 2017 edition, please see the new Cable Glands Global Solutions Catalog being launched in parallel or contact your local Crouse-Hinds representative.

*For compound barrier and diaphragm glands, see specific temperature range



New universal seal



Learn more about Capri ADE series cable glands

EATON

Powering Business Worldwide

Temperature ranges

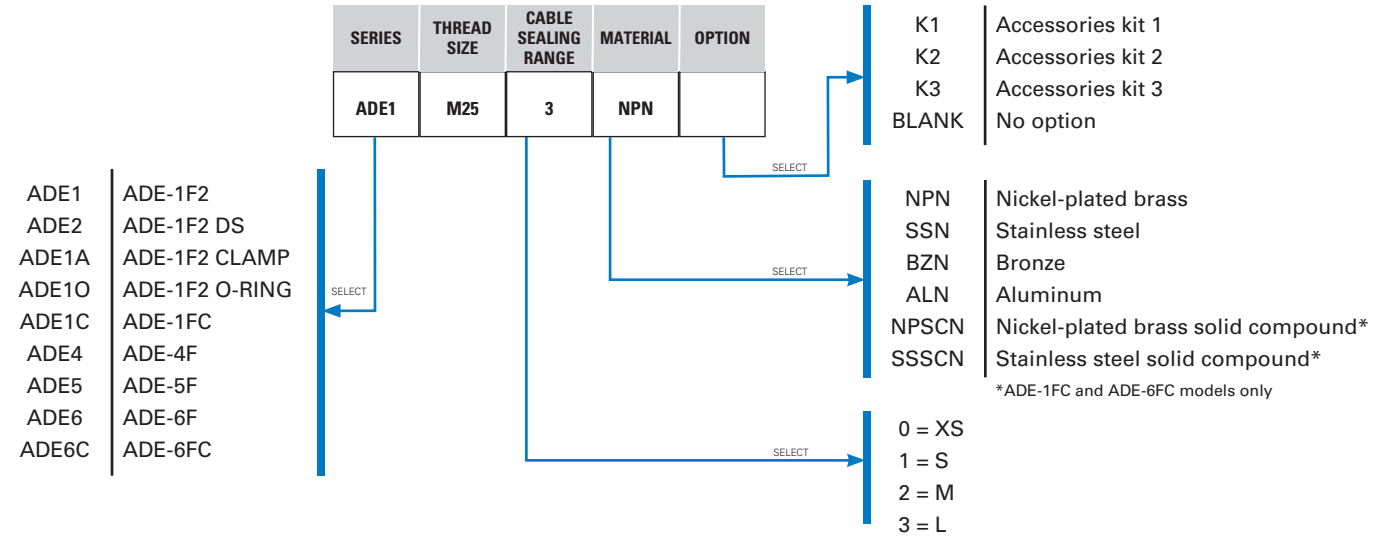
ADE model	Pre-2017 version		NEW 2017 edition
	Black standard temperature seal	Red extended temperature seal	Grey universal temperature seal
ADE-1F2, ADE-1F2 O-ring	-30°C to +80°C	-60°C to +140°C	-60°C to +140°C
ADE-1F2 DS (double seal)			
ADE-1F2 A (integrated clamp)			
ADE-1FC	-60°C to +80°C		-60°C to +80°C
ADE-4F	-30°C to +80°C	-60°C to +140°C	-60°C to +140°C
ADE-5F	-30°C to +80°C	-60°C to +140°C	-60°C to +140°C
ADE-6F	-60°C to +80°C		-60°C to +80°C
ADE-6FC	-60°C to +80°C		-60°C to +80°C

ADE Certification

ATEX	INERIS12ATEX0032X
IECEX	IECEX INE 12.0025X
cULus/UL	E310130
cULus Marine	E314047
UL Marine	E324850
NANIO	TC RU C-FR.ГБ05.В.00858

For full details of other certification and compliances, please see the new Cable Glands Global Solution Catalog or crouse-hinds.com

Catalog numbering



The catalog numbers for the ADE are constructed as before; however coding for material and seal material has been merged, now using 3 digits. Material codes will be NPN/SSN, with the exception of the ADE-6F model; ADE-6F will have codes of NPS/SSS.

Summary of changes

ADE model	Temperature range	Sealing range	Seal colour	Part number (silicone)	Part number (neoprene)	Certification body	Assembly manual	Product design
ADE-1F2, ADE-1F2 O-ring								
ADE-1F2 DS (double seal)	yes	no change	yes	yes	no change	no change	no change	no change
ADE-1F2 A (integrated clamp)								
ADE-1FC	no change	no change	yes	n/a	no change	no change	no change	no change
ADE-4F	yes	no change	yes	yes	no change	no change	no change	no change
ADE-5F	yes	no change	yes	yes	no change	no change	no change	no change
ADE-6F	no change	no change	yes	no change	n/a	no change	no change	no change
ADE-6FC	no change	no change	yes	n/a	no change	no change	no change	no change

For further technical information, please consult the Cable Glands Global Solutions Catalog or crouse-hinds.com

Changes to the products, to the information contained in this document, and to prices are reserved; so are errors and omissions. Only order confirmations and technical documentation by Eaton is binding. Photos and pictures also do not warrant a specific layout or functionality. Their use in whatever form is subject to prior approval by Eaton. The same applies to Trademarks (especially Eaton, Moeller, and Cutler-Hammer). The Terms and Conditions of Eaton apply, as referenced on Eaton Internet pages and Eaton order confirmations.

Eaton
EMEA Headquarters
Route de la Longeraie 7
1110 Morges, Switzerland

Eaton Cooper Capri SAS
36-40 Rue des Fontenils
41600 Nouan-le-Fuzelier France
Eaton.eu

© 2015 Eaton
All Rights Reserved
Printed in UK
Article No. CAP185012
February 2017